

# more Power Features

## new POWER

Now available in:  
400 watts  
800 watts

## new FEATURES

- Digital Amplitude Control
- Ultrasonic Horn/Stack Frequency Display
- Good Part/Bad Part Output Signal
- 30% smaller power supply footprint

## new MODELS

### WELD BY:

digital time  
- **Model GXT**

digital time and/  
or constant energy  
- **Model GXE**

digital time, constant  
energy and/or distance  
- **Model GXL\***

### STANDARD FEATURES INCLUDE:

- Automatic Frequency Tuning
- Multiple Job Storage
- Digital Force Triggering
- Calibration Pulse Prior to Every Weld Cycle
- Back-Lit LCD Display
- Ultrasonics Load Meter Scale
- Upper and Lower Weld Limit Settings
- RS232 Serial Port Printer Output
- Optional PLC I/O (Input/Output) Port
- Soft Start Overload Protection Circuitry
- Load Regulation Circuitry
- Distance Mode Settings in English or Metric Units\*

\*requires optional linear encoder



**SONICS**<sup>®</sup>  
SONICS & MATERIALS, INC.



Model 4095 Press

## Model 4095 40 kHz ultrasonic plastics welding system



GX-Series Power Supply

Leaders in the field of ultrasonic plastics welding equipment and technology since 1969, Sonics & Materials offers its new line of **GX-Series** ultrasonic power supplies, combined with the model 4095 press, to provide a fast, precise process for delicate assemblies that require mild ultrasonic horn vibrations.

The new GX-Series, available in 400 and 800 watts power, provides microprocessor control and consistent reliability for every application. Power supplies feature smart-logic, user-friendly navigation and are available in three different welding mode configurations for maximum versatility and flexibility.

### Power Supply

Dimensions: 15.25" W x 6.50" H x 18.75" D (387.3 x 165.1 x 476.3 mm)  
Weight: 21 lbs. (9.5 kg)

for more information: 1-800-745-1105 [www.sonics.com](http://www.sonics.com)

Innovating  
since

1969

## dimensional data

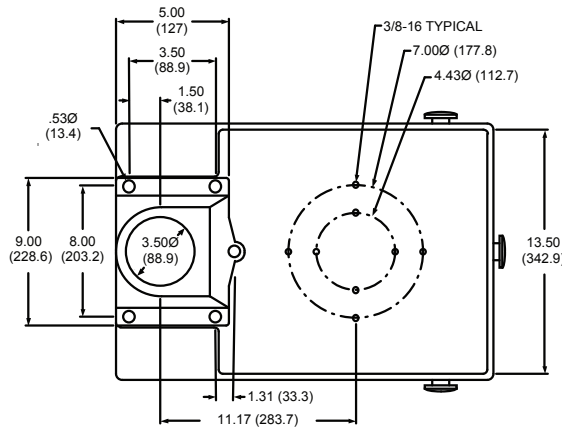
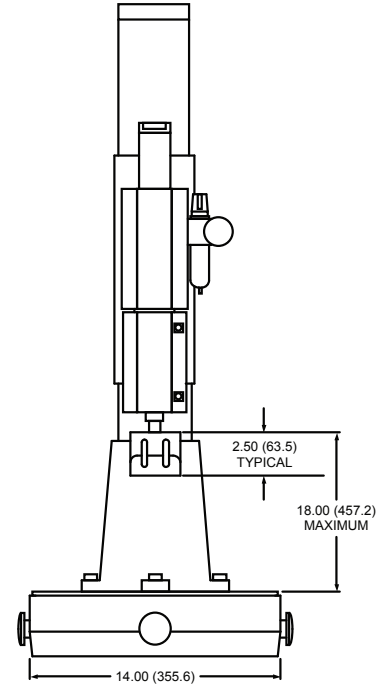
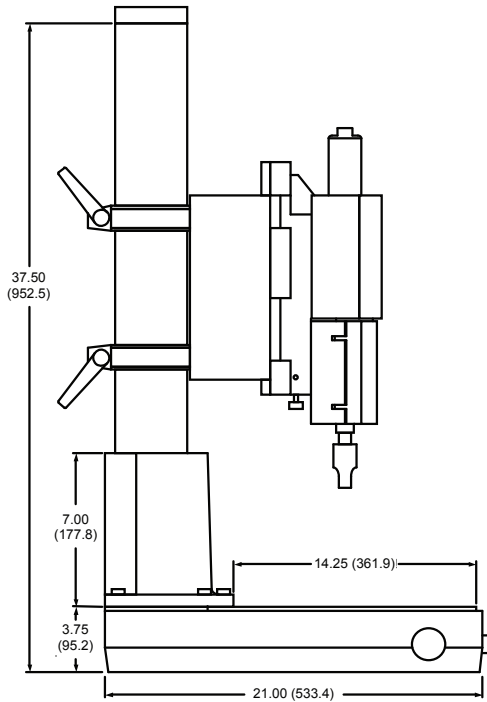
All Dimensions: Inches (mm)

### model 4095 features

- Rigid Cast Aluminum Base and Column Hub
- Single Rail Linear Slide
- Direct In-Line Air Cylinder
- Easy Access Pneumatic Pressure Control
- Easy Access Head Up and Down Pneumatic Speed Control
- Head Adjust Counter Balance Spring
- Linear Encoder for Distance Welding (optional)

### specifications, additional features, and options

Head Adjust Counterbalance Spring	Standard
Dual Cycle Start Buttons	Standard
Non-Contact Cycle Start Buttons	Optional
Front Emergency Stop	Standard
Precision Air Regulator and Gauge	Optional
Adjustable Positive Stop	Standard
Automation Limit Switches	Optional
360° Snap-In Stack Assembly	Standard
Rigid Mount Booster	Optional
Stand Alone Column Hub	Optional
Extended Length Column	Optional
3.50" (88.9) Column Diameter	Standard
3.00" (76.2) Stroke Air Cylinder	Standard
Air Cylinder Bore Diameter	1.5" (38.1)
Clamping Force at 90 PSIG	161 lbs. (716n)
Input Voltage (standard)	220 VAC
Optional Input Voltage	120 VAC
Weight	126 lbs. / 57.2 kg



Sonics & Materials, Inc.

Registered by UL to ISO 9001