

more Power Features

new POWER

Now available in:

40 kHz	20 kHz
400 watts	1200 watts
800 watts	1700 watts
	2200 watts

new FEATURES

- Precision controlled weld depth tolerance of +/- 0.0003 in. (.008 mm)
- Electric stepper motor drive/optical encoder
- Programmable digital force, velocity, distance
- Touch screen technology with dynamic full-color menus
- Virtual Network Computing (tablets/PC's)

STANDARD FEATURES INCLUDE:

- Automatic Frequency Tuning
- Graph Plotting
- Uploadable Event Logging
- Trend Capture / Plotting
- Weld to Peak Power
- Weld Set-up Wizard
- Absolute and Incremental Distance Modes
- Printer Data Log Output
- Optional PLC I/O (Input/Output) Ports
- Soft Start Overload Protection Circuitry
- Load Regulation Circuitry



SONICS[®]
SONICS & MATERIALS, INC.



20 kHz
e-Press

e-Press TOUCH

ultrasonic
electropress[™]

20 kHz / 40 kHz

*high precision plastics welder
with touch control*

Power Supply with built-in
Stepper Controller



Leaders in the field of ultrasonic plastics welding equipment and technology since 1969, Sonics & Materials offers its new stepper-motor driven *e-Press Touch*, featuring a unique touch-control power supply with built-in stepper controller. The new system produces repeatable, precision welds to a weld depth tolerance of +/-0.0003 in. (0.008 mm).

The advanced power supply with built-in stepper controller provides superior control and consistent reliability for both 20 kHz and 40 kHz models, along with an array of convenient networking and plotting features. Power supplies feature smart-logic, user-friendly navigation with touch controls plus enhanced features such as automatic frequency tuning and digital amplitude control.

Power Supply with built-in Stepper Controller

Dimensions: 17.75" W x 9.5" H x 24.75" D (450.85 x 241.31 x 628.65 mm)

for more information: **1-800-745-1105** www.sonics.com

Innovating
since

1969

dimensional data

All Dimensions: Inches (mm)

e-Press features

- Single Piece Rigid Cast Aluminum Machine Base and Column Hub
- In-line Load Cell for Precise Force Trigger
- Linear Ball Screw Actuator
- Single Rail Linear Slide
- Rigid Mount Booster Technology

specifications, additional features, and options

Dual Cycle Start Buttons	Standard
Non-Contact Cycle Start Buttons	Optional
Front Emergency Stop	Standard
Head Adjust Counter	
Balance Spring	Standard
Automation Limit Switches	Optional
360° Snap-In Stack Assembly	Standard
Rigid Mount Booster	Standard
Stand Alone Column Hub	Optional
Extended Length Column	Optional
3.75" (95.3) Column Diameter	Standard
3.5" (89 mm) Max Stroke	Standard
Weight	210 lbs. / 95 kg

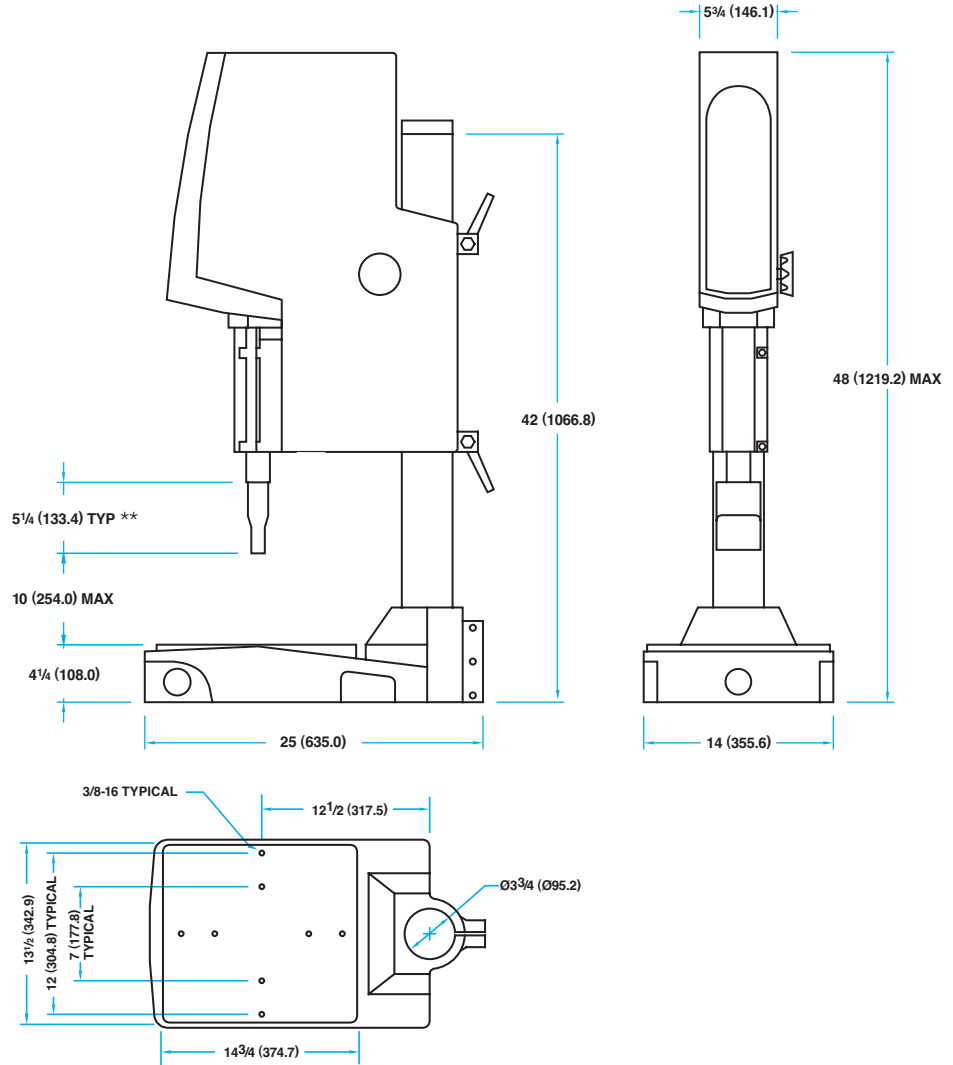
power requirements

Press:

400, 800 and 1200 watts	220 VAC (110 optional)
1700 and 2200 watts	220 VAC

EP controller

110 VAC



**NOTE: These dimensions apply to 20 kHz model only.



Registered by UL to ISO 9001